

1

2

3

4

5

6

A

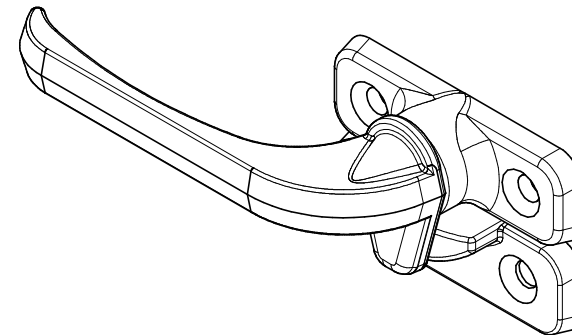
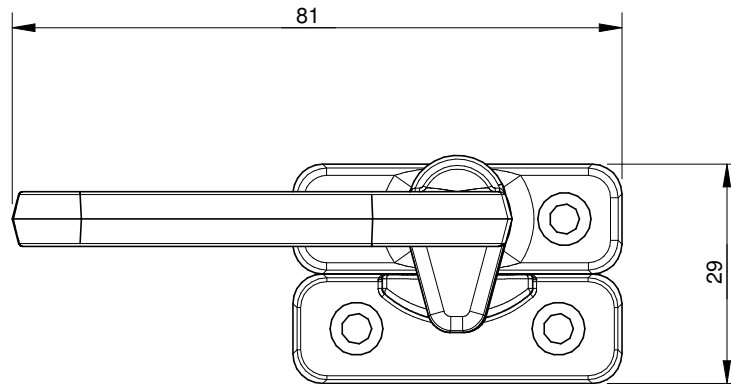
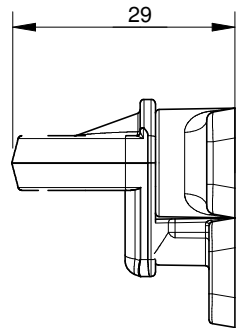
A

B

B

C

C



D

D

			<u>General (mm)</u> <u>Tolerance</u>  Linear $0.0 \pm 0.05\text{mm}$ $0 \pm 0.2\text{mm}$  Angular $\pm 0.2$	<b>MILES NELSON</b>  228 KITCHENER RD MILFORD, AUCKLAND, NEW ZEALAND. PH: 64 9 489 7225 FAX: 64 9 489 5552	TITLE  <p style="text-align: center;"><b>055 Window Handle</b></p>		
ISSUE	CHANGE DESCRIPTION	DATE	THIS DESIGN AND DRAWING IS THE COPYRIGHT OF MILES NELSON MANUFACTURING CO LTD AND IS NOT TO BE REPRODUCED WITHOUT WRITTEN PERMISSION	<b>DO NOT SCALE IF IN DOUBT ASK</b>		SCALE <p style="text-align: right;">1:1</p>	
				DRAWING NO.  <p style="text-align: center;"><b>C055</b></p>	SHT__OF__	DRAWN BY <p style="text-align: right;">K.P.</p>	
				APPROVED BY  _____		DATE  _____	